

APPLICATION
INFORMATION
TRANSFER
CASES

Engineering Specification Sheet

Firm Name _____ Date _____
 Address _____ Phone _____
 _____ Fax _____
 Contact Name _____ Title _____

General Data

Application _____
 Type of Service _____
 Ratios Required _____
 Two or Four Wheel Drive _____ Other _____ Axle Disconnect _____
 Max. Gross Vehicle Wt. _____ Front Axle _____ Rear Axle _____
 Tire Rolling Radius _____ Or Revolutions per Mile _____
 Remarks _____

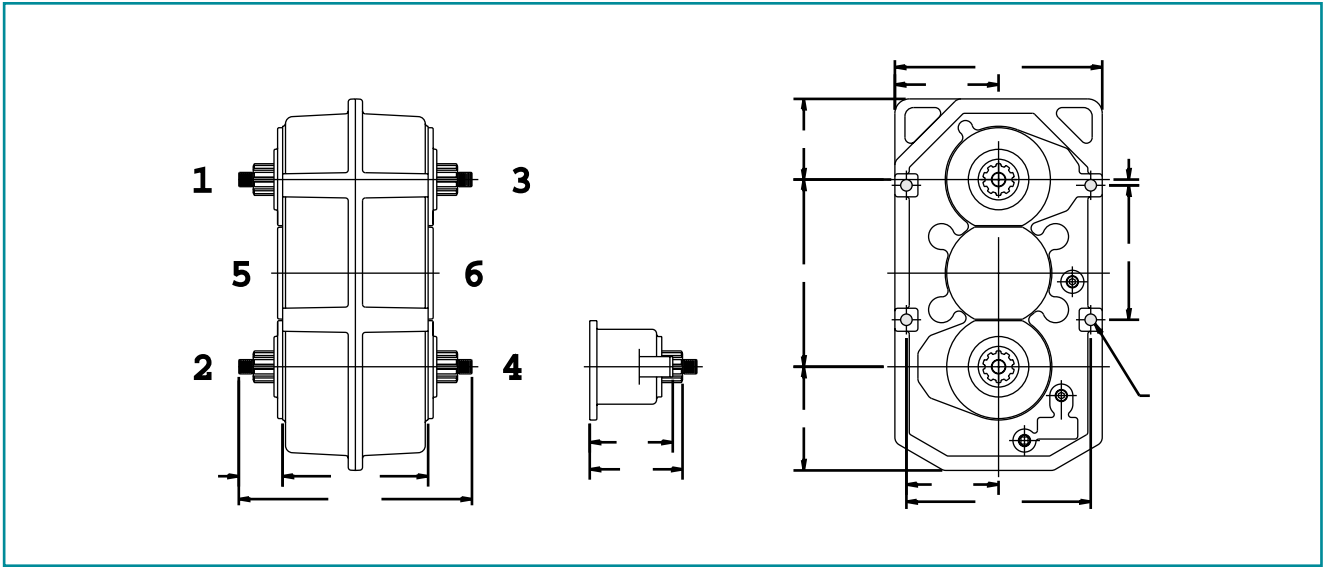
Engine Data

(Attach copy of curve if available.)
 Manufacturer _____ Model _____ HSG.SAE# _____
 Governing RPM-Full Load _____ Max. RPM _____
 Max. Gross Torque and RPM _____
 Remarks _____

Other Components

Transmission _____ Model _____ Low Forward Ratio _____
 Torque Converter _____ Make _____ Ratio _____
 Axle Ratio _____
 Estimated Yearly Requirements _____
 Prototype Required _____
 Quote in Quantities of _____
 Additional Remarks _____

Engineering Specification Sheet (Continued)



Input Torque _____ Ft-Lb's Position of Input _____ Flange, Yoke, or Shaft End Size:
 Input Speed _____ RPM Number of Outputs _____ Position:
 Ratios Required _____ Position of Disconnect(s) _____ 1. _____
 Number of Shafts _____ Position of PTO's or Hyd. Pads: _____ 2. _____
 (Relates to Rotations Req.): _____ _____ 3. _____
 _____ _____ 4. _____
 _____ _____ 5. _____
 _____ _____ 6. _____

Additional Comments